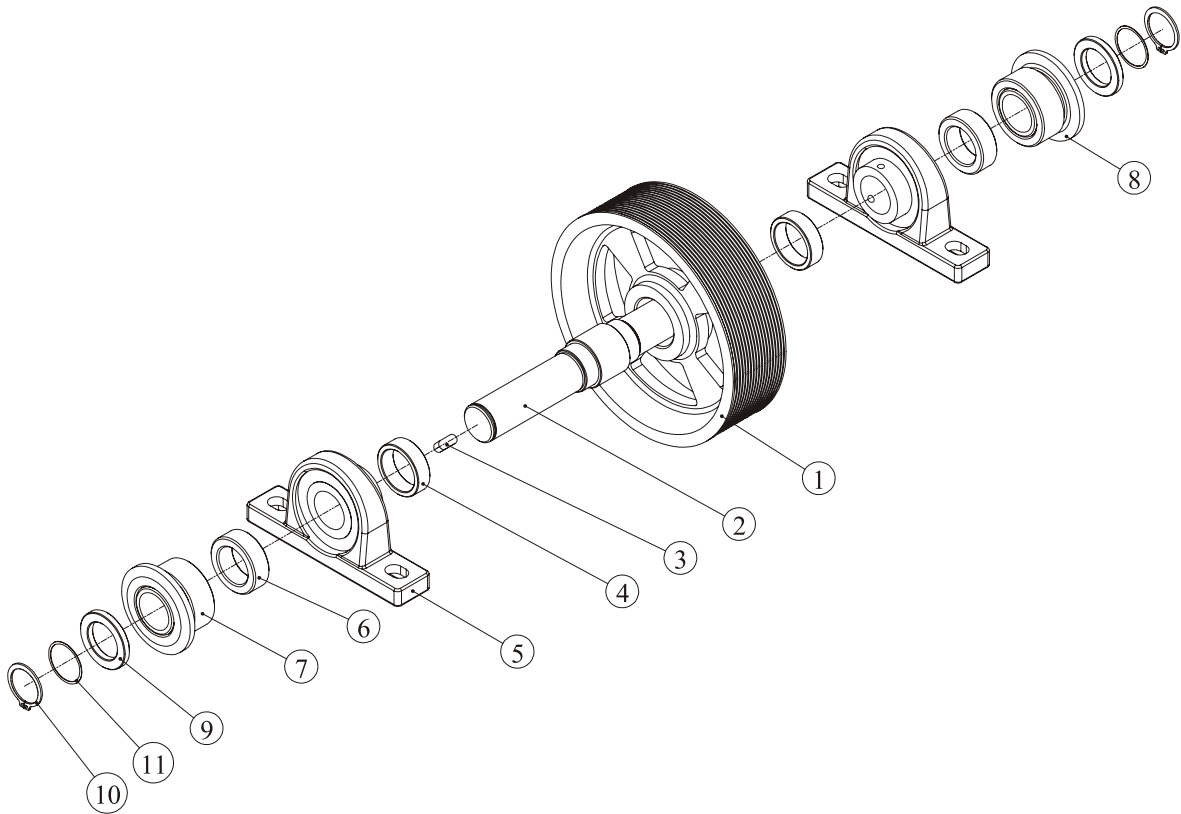


Exploded View and Parts List

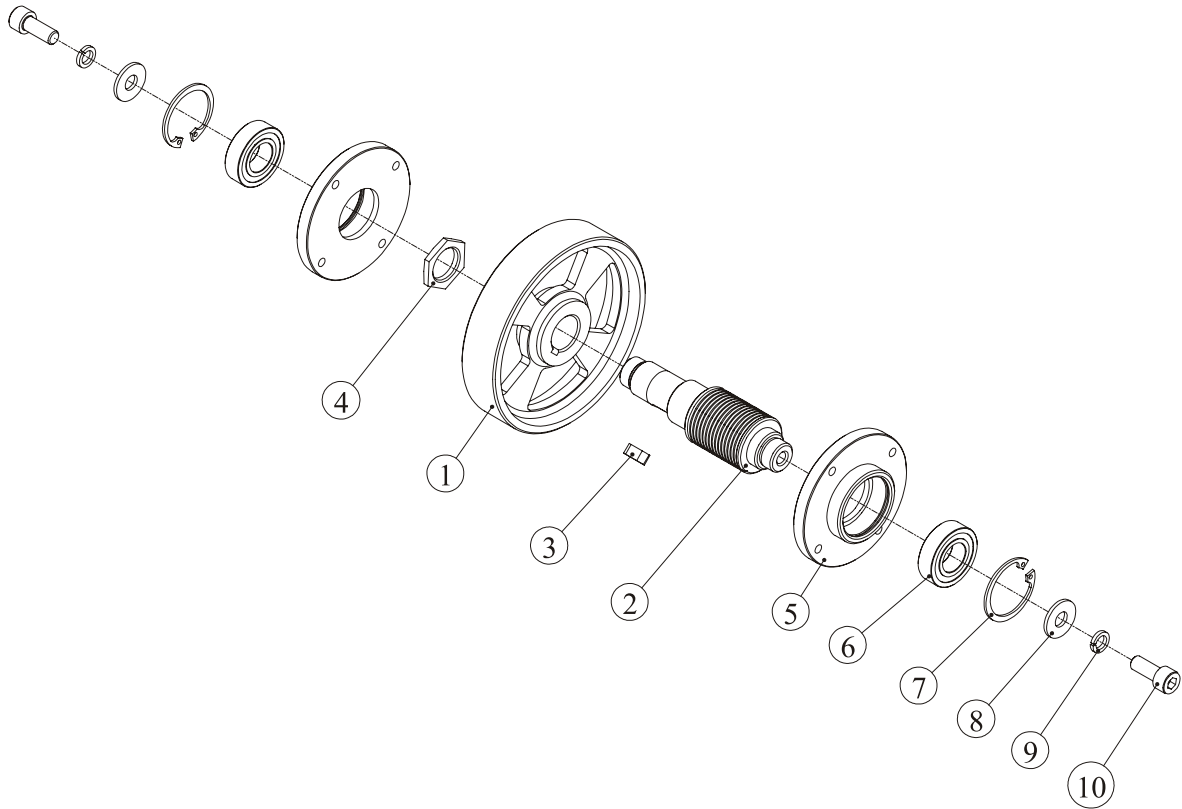
Pulley ASSY



Item No.	Grade No.	Part No.	Description	QTY
1	1.10.1	PST3003000	Pulley J18	1
2	1.10.2	PST300B1300	Shaft, For Chain Wheel	1
3	1.10.3	B4007000	Key, 6*6*14.3	1
4	1.10.4	PST3002400	Spacer	2
5	1.10.5	UP205	Pillow Block, P205	2
6	1.10.6	PST300B1800	Spacer	2
7	1.10.7	PST300B1500	Left Chain Wheel Assy	1
8	1.10.8	PST300B1600	Right Chain Wheel Assy	1
9	1.10.9	PST300B3200	Spacer	2
10	1.10.10	GB894.125FH12	Ring, Φ 25	2
11	1.10.11	DQ25FH2	Washer, Φ 25* Φ 28*0.35	2

Exploded View and Parts List

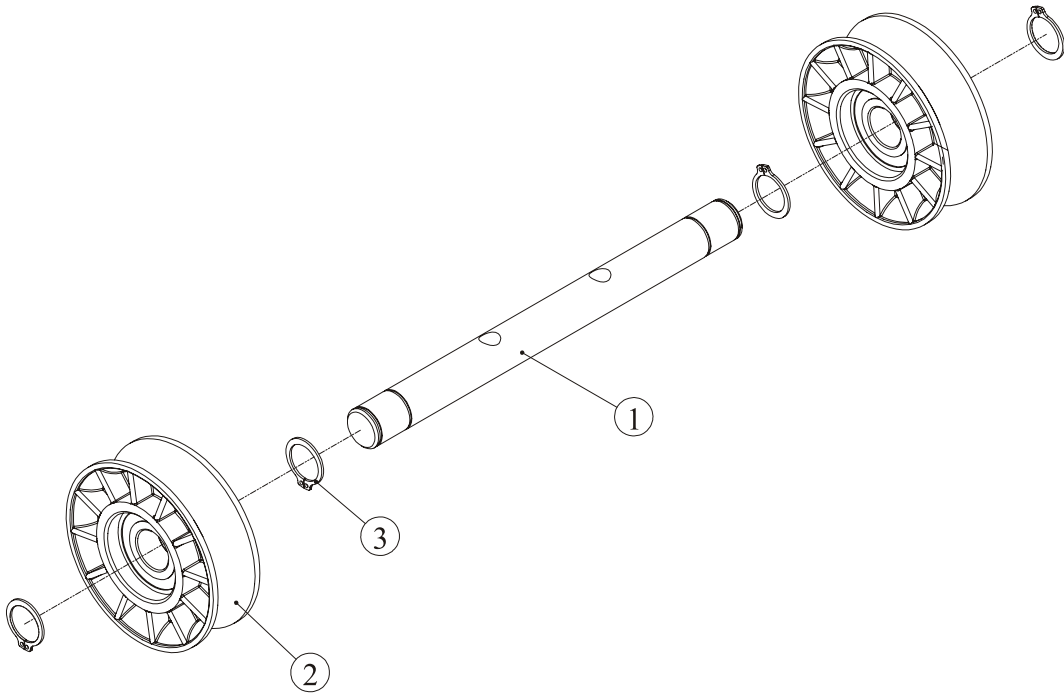
Pulley ASSY



Item No.	Grade No.	Part No.	Description	QTY
1	1.14.1	PST3003100	Pulley	1
2	1.14.2	PST3001900V1	Pulley Shaft	1
3	1.14.3	B4007000	Key,6*6*14.3	1
4	1.14.4	SVTW0100	Hex Nut,M20xp1.0	1
5	1.14.5	PST3001000	Flanged Base	2
6	1.14.6	GB2766003-2RSC3TPI	Bearing,6003	2
7	1.14.7	GB893.135FH12	Ring,Φ35	2
8	1.14.8	DQ8DS2A	Washer,Φ9*Φ22*2	2
9	1.14.9	GB938DS12	Spring Washer,Φ8	2
10	1.14.10	GB70M8*20DS20	Socket Head Cap Screw,M8*20	2

Exploded View and Parts List

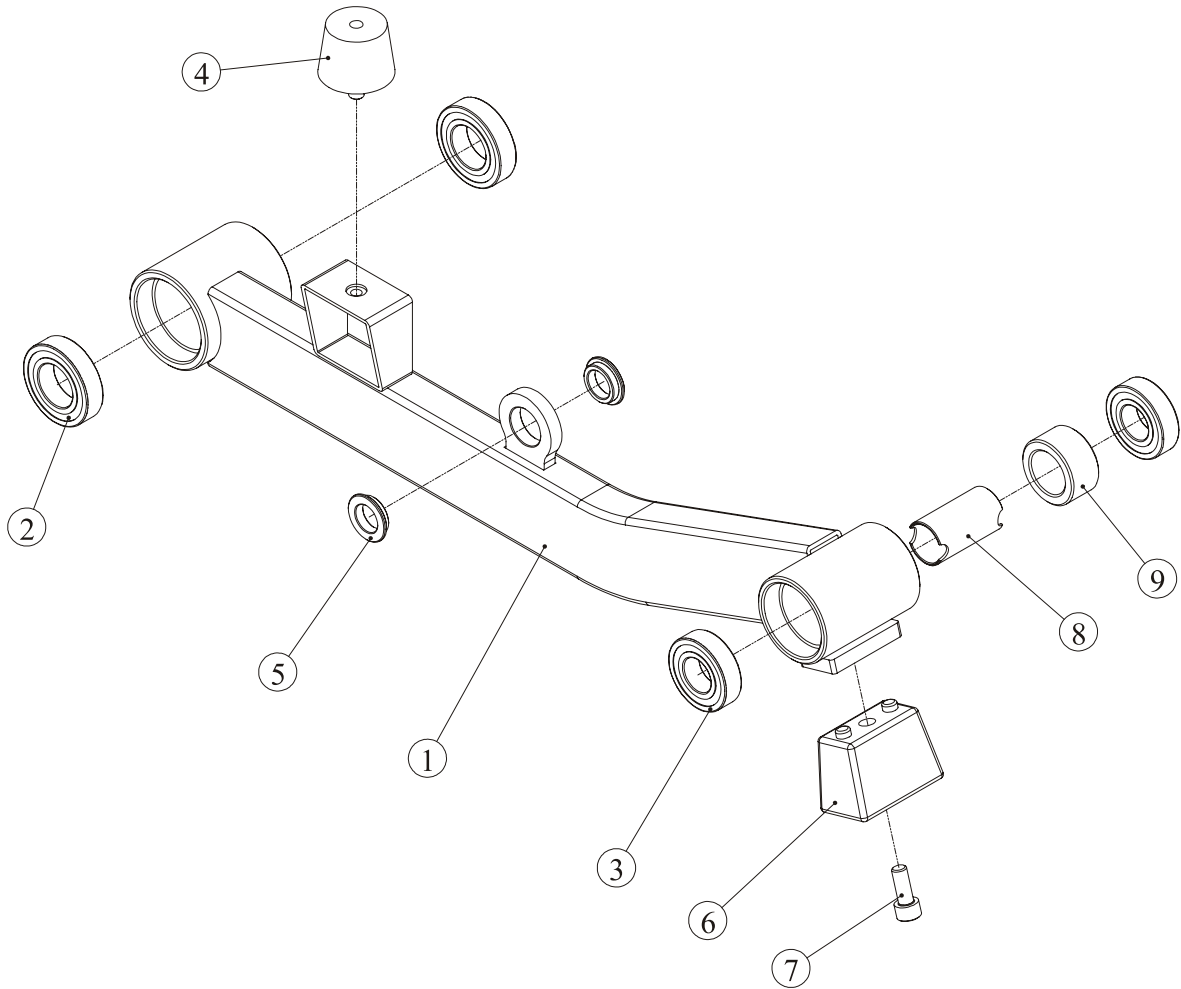
Leading Wheel ASSY



Item No.	Grade No.	Part No.	Description	QTY
1	1.42.1	PST3004900	Shaft,For Leading Wheel	1
2	1.42.2	PST3001400	Leading Wheel	2
3	1.42.3	GB894.117FH12	Ring, Φ 17	4

Exploded View and Parts List

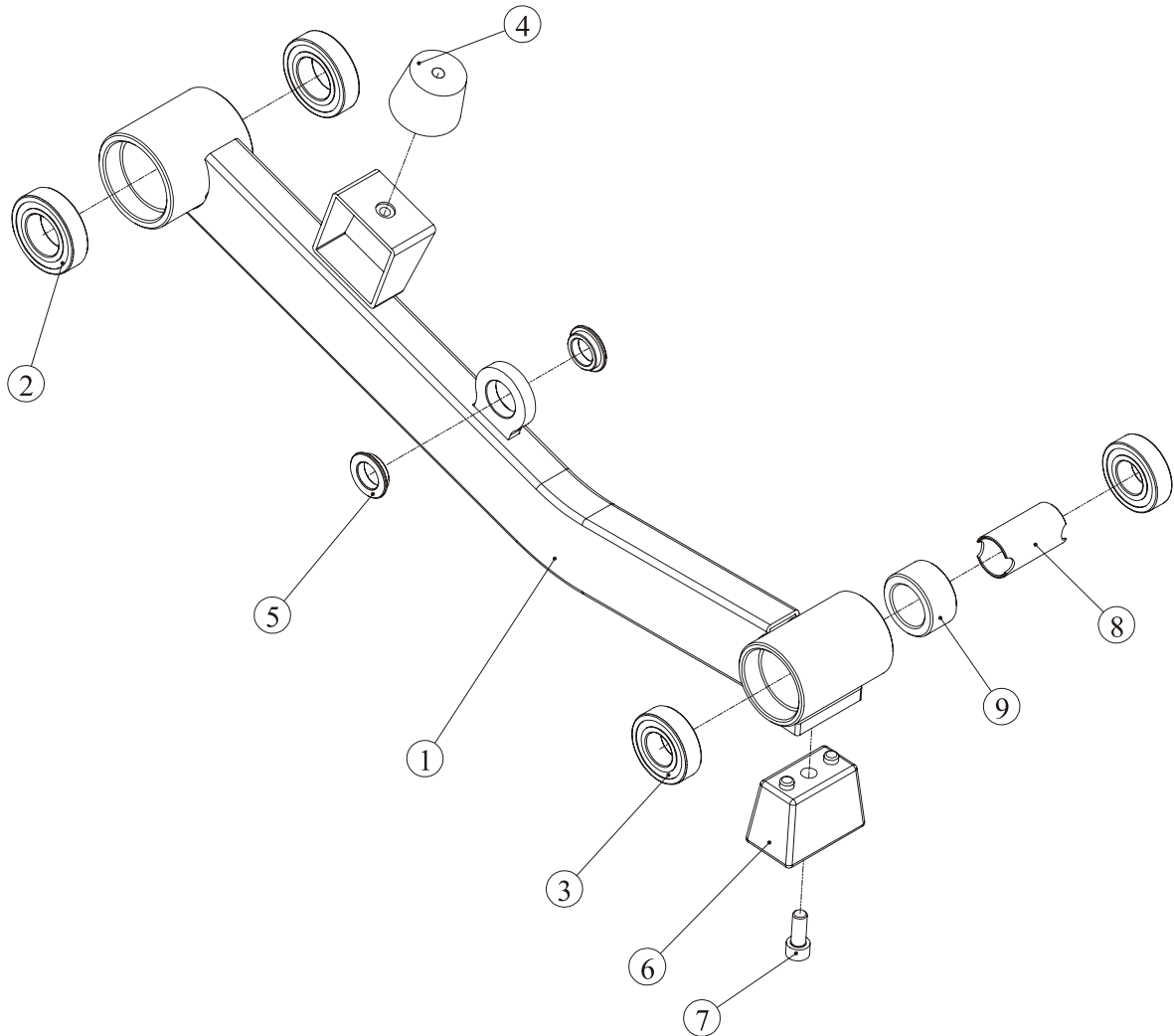
Left Swing Frame ASSY



Item No.	Grade No.	Part No.	Description	QTY
1	1.49.1	PST300D0300	Left Swing Frame	1
2	1.49.2	NBK6005-2Z	Bearing,6005	2
3	1.49.3	NBK6004-2Z	Bearing,6004	2
4	1.49.4	AC3170B5200V1	Cushion	1
5	1.49.5	PST300D11200	Bushing	2
6	1.49.6	PST3006000	Cushion	1
7	1.49.7	GB70M8*20DS20	Socket Head Cap Screw,,M8*20	1
8	1.49.8	PST3005000	Spacer	1
9	1.49.9	PST3005100	Spacer	1

Exploded View and Parts List

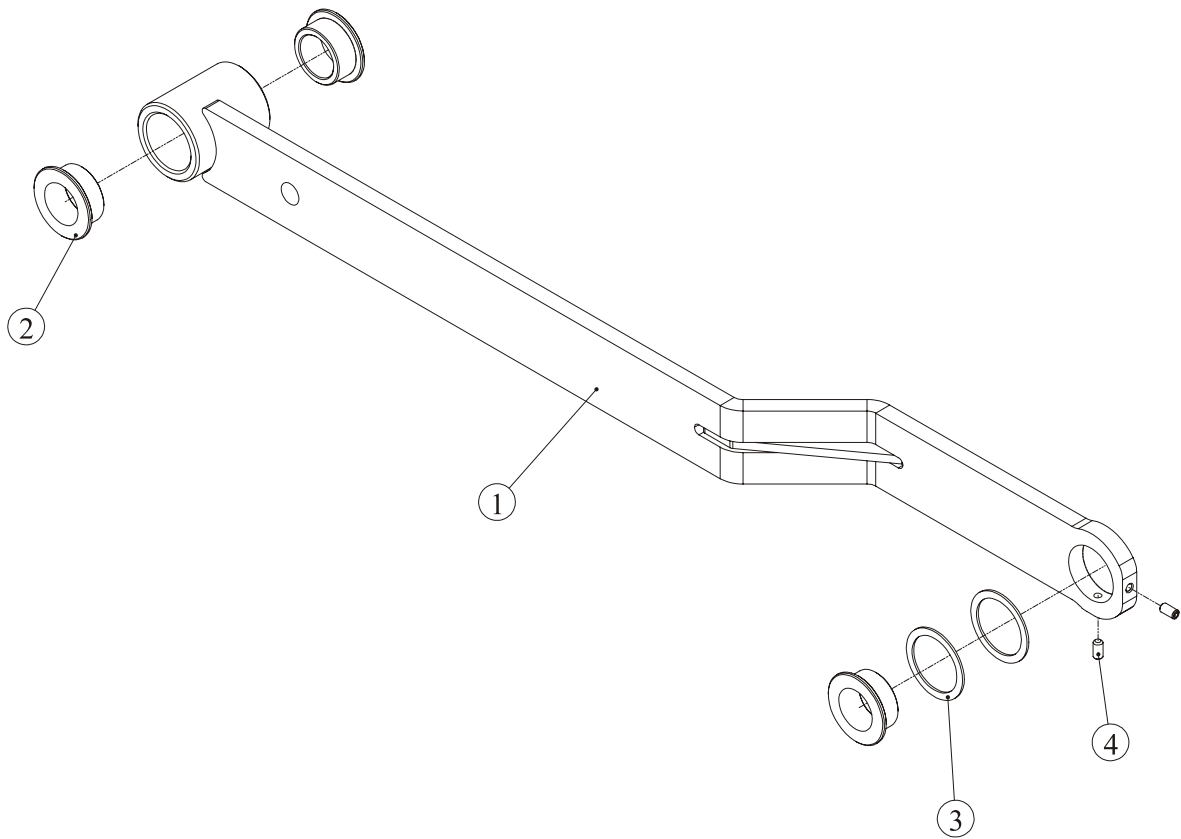
Right Swing Frame ASSY



Item No.	Grade No.	Part No.	Description	QTY
1	1.50.1	PST300D0400	Right Swing Frame	1
2	1.50.2	NBK6005-2Z	Bearing,6005	2
3	1.50.3	NBK6004-2Z	Bearing,6004	2
4	1.50.4	AC3170B5200V1	Cushion	1
5	1.50.5	PST300D11200	Bushing	2
6	1.50.6	PST3006000	Cushion	1
7	1.50.7	GB70M8*20DS20	Socket Head Cap Screw,M8*20	1
8	1.50.8	PST3005000	Spacer	1
9	1.50.9	PST3005100	Spacer	1

Exploded View and Parts List

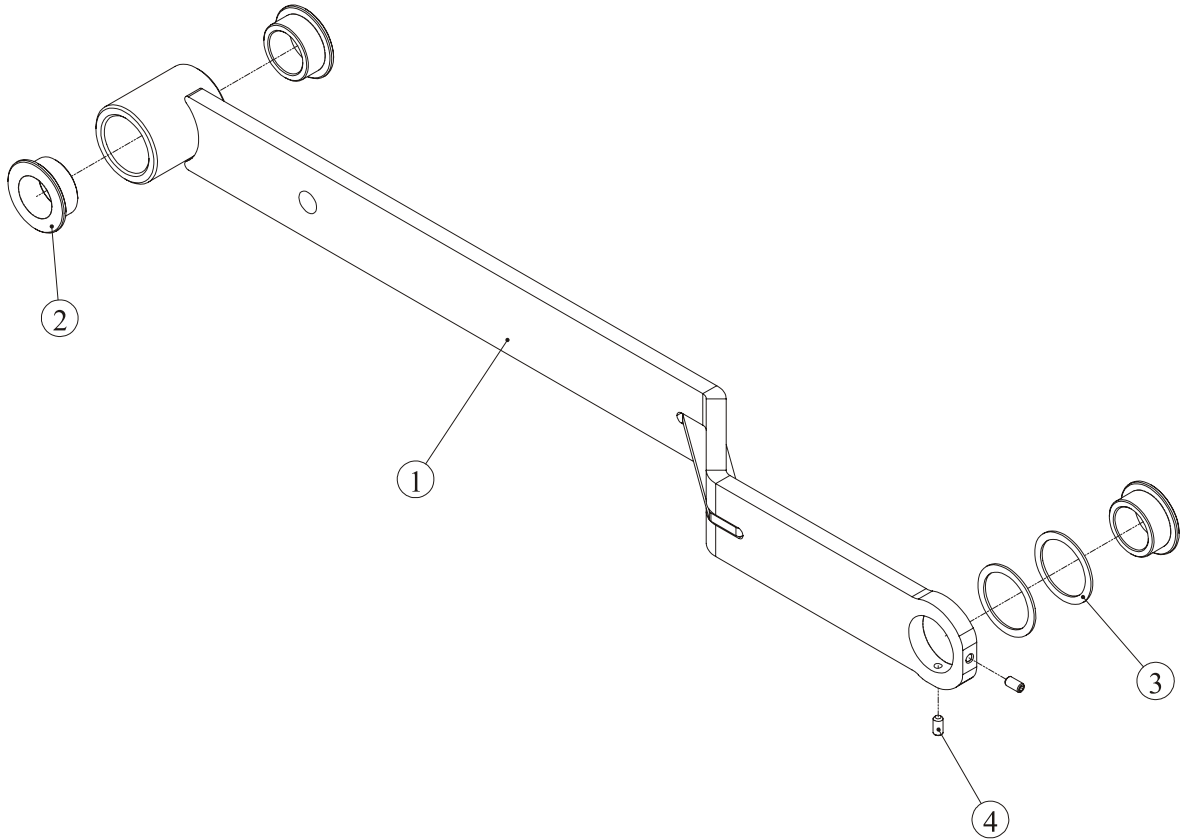
Left Connecting Rod ASSY



Item No.	Grade No.	Part No.	Description	QTY
1	1.53.1	PST300D7000	Left Connecting Rod	1
2	1.53.2	IR40014100	Bushing	3
3	1.53.3	DQ25DS2B	Washer, $\Phi 32^* \Phi 25.5^*1$	2
4	1.53.4	GB77M4*8DHS18	Screw, M4*8	2

Exploded View and Parts List

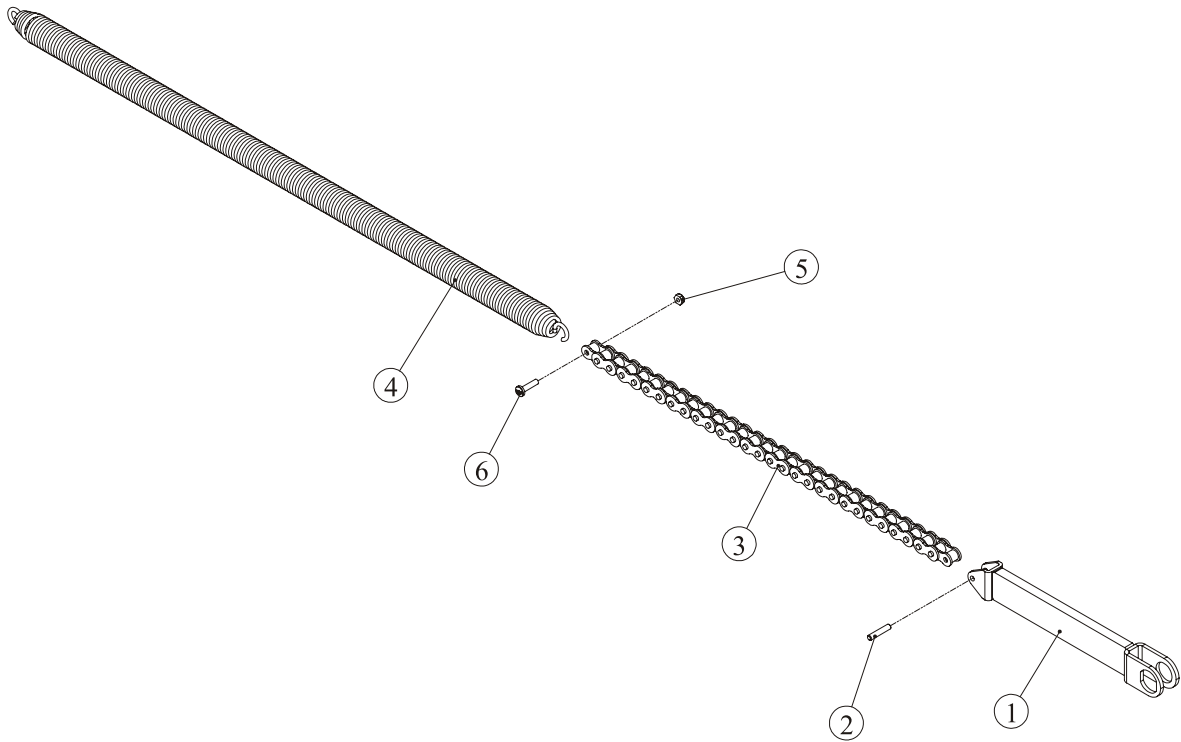
Right Connecting Rod ASSY



Item No.	Grade No.	Part No.	Description	QTY
1	1.54.1	PST300D7100	Right Connecting Rod	1
2	1.54.2	IR40014100	Bushing	3
3	1.54.3	DQ25DS2B	Washer, $\Phi 32^* \Phi 25.5^*1$	2
4	1.54.4	GB77M4*8DHS18	Screw, M4*8	2

Exploded View and Parts List

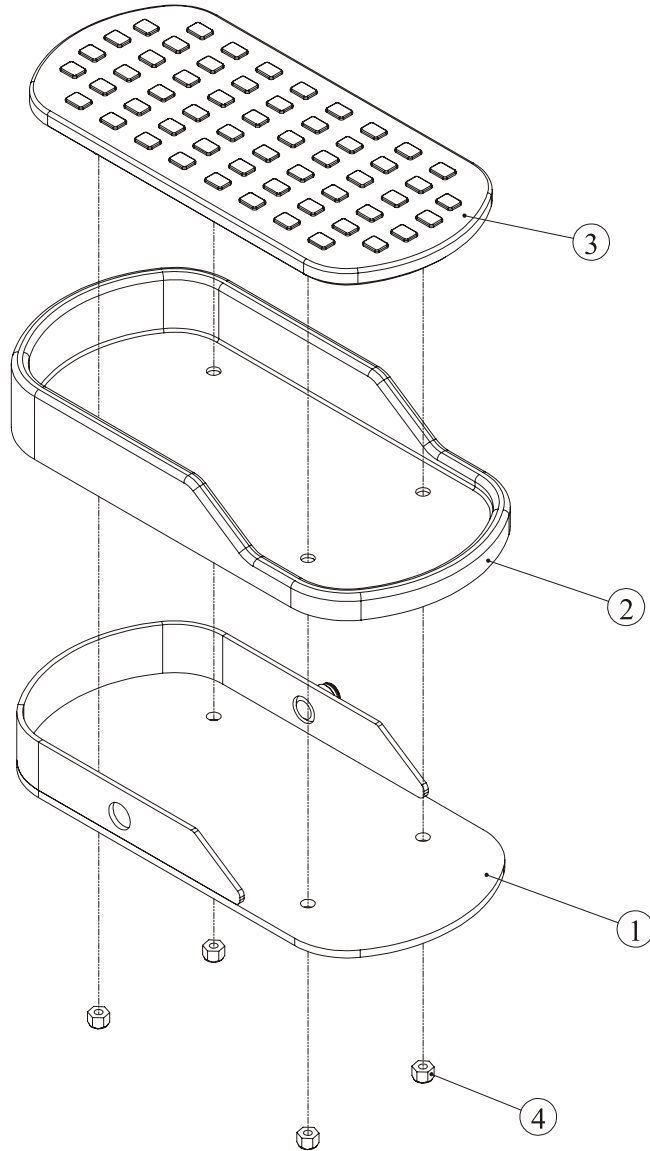
Chain Frame ASSY



Item No.	Grade No.	Part No.	Description	QTY
1	1.58.1	PST300D2300	Chain Frame	1
2	1.58.2	PST3002500	Pin	1
3	1.58.3	PST3005400	Chain,08a	1
4	1.58.4	PST3001700	Spring	1
5	1.58.5	NM4DS2	Nut,M4	1
6	1.58.6	GB818M4*16DS2	Screw,M4*16	1

Exploded View and Parts List

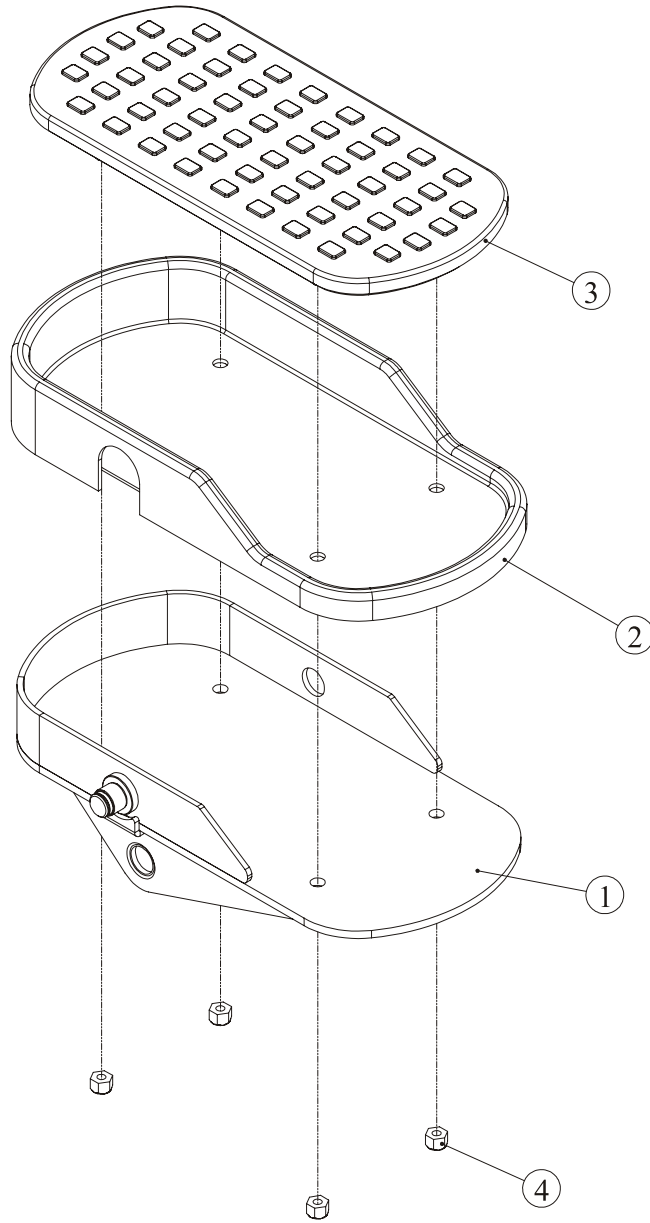
Left Pedal Frame ASSY



Item No.	Grade No.	Part No.	Description	QTY
1	1.60.1	PST3000500	Left Pedal Frame	1
2	1.60.2	PST3002700	Left Pedal Cover	1
3	1.60.3	PST3002900	Left Pedal	1
4	1.60.4	NM8DS2	Nut,M8	4

Exploded View and Parts List

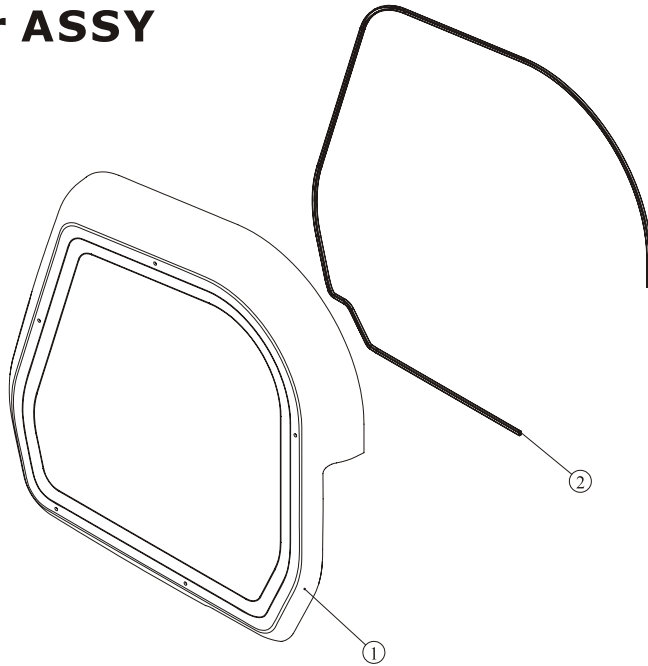
Right Pedal Frame ASSY



Item No.	Grade No.	Part No.	Description	QTY
1	1.61.1	PST3000600	Right Pedal Frame	1
2	1.61.2	PST3002800	Right Pedal Cover	1
3	1.61.3	PST3002900	Right Pedal	1
4	1.61.4	NM8DS2	Nut,M8	4

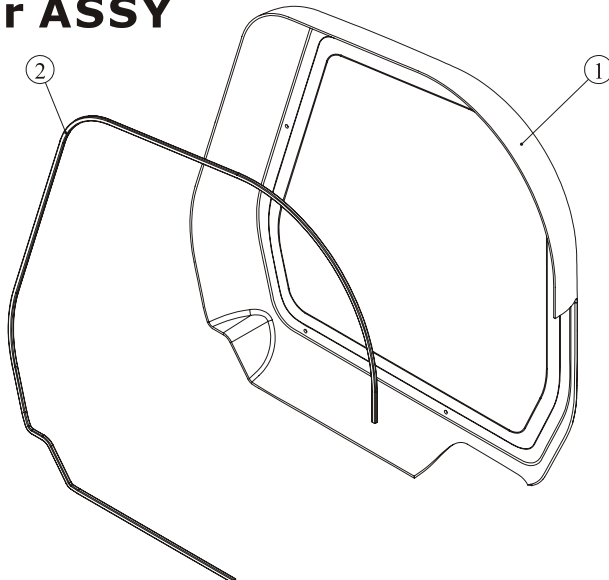
Exploded View and Parts List

Left Cover ASSY



Item No.	Grade No.	Part No.	Description	QTY
1	1.71.1	PST3003600	Left Cover	1
2	1.71.2	PST3005800	Strake	1

Right Cover ASSY



Item No.	Grade No.	Part No.	Description	QTY
1	1.70.1	PST3003500	Right Cover	1
2	1.70.2	PST3005800	Strake	1

Exploded View and Parts List

Main Frame ASSY

Item No.	Grade No.	Part No.	Description	QTY
1	1.1	PST300D0100	Main Frame	1
2	1.2	B4001600	Moving Wheel	2
3	1.3	GB819M5*12DHS2	Screw,M5*12	2
4	1.4	GB41M10DS2	Hex Nut,M10	1
5	1.5	ASCENT2900	Leveler Foot	1
6	1.6	PE3000900	Leveler Frame	2
7	1.7	PE3001200	Rubber Pad	2
8	1.8	GB6172.1M16DS2	Hex Nut,M16	2
9	1.9	IT90013800	Stopper	2
10	1.10	PST300D30ASSY	Pulley Assy	1
11	1.11	GB9510DS2	Washer, $\Phi 11 * \Phi 20 * 2$	11
12	1.12	GB70M10*80DS20	Socket Head Cap Screw,M10*80	4
13	1.13	NM10DS2	Nut,M10	8
14	1.14	PST300D31ASSY	Pulley Assy	1
15	1.15	DQ6DS2A	Washer, $\Phi 6.6 * \Phi 15 * 2$	9
16	1.16	GB936DS12	Spring Washer, $\Phi 6$	6
17	1.17	GB70M6*20DHS20	Socket Head Cap Screw,M6*20	7
18	1.18	DXD360J16A	360j16	1
19	1.19	GB2766003-2RSC3TPI	Bearing,6003	4
20	1.20	PST3001200	Tightener Frame	1
21	1.21	PST3005600	Connecting Plate	1
22	1.22	DQ17DHS2	Washer, $\Phi 17.2 * \Phi 23 * 0.35$	6
23	1.23	PST3005500	Tightener Wheel	1
24	1.24	GB894.117FH12	Ring, $\Phi 17$	4
25	1.25	GB70M8*35DS20	Socket Head Cap Screw,M8*35	1
26	1.26	GB41M8DS2	Hex Nut,M8	2
27	1.27	NM8DS2	Nut,M8	3
28	1.28	TBT0800	Tread Bushing	1
29	1.29	TBT1800	Spring	1
30	1.30	GB958DS2	Washer, $\Phi 9 * \Phi 16 * 1.6$	1
31	1.31	GB5781M8*80DS2	Hex Head Bolt,M8*80	1
32	1.32	PST300D11100	Plate,Isolation	1
33	1.33	PST300D0200	Frame For Fixing Brake	1
34	1.34	U7B4000	Spacer,Isolation	4
35	1.35	DQ8DS2A	Washer, $\Phi 9 * \Phi 22 * 2$	4
36	1.36	GB9310DS12	Spring Washer, $\Phi 10$	4
37	1.37	GB70M8*25DS20	Socket Head Cap Screw,M8*25	4

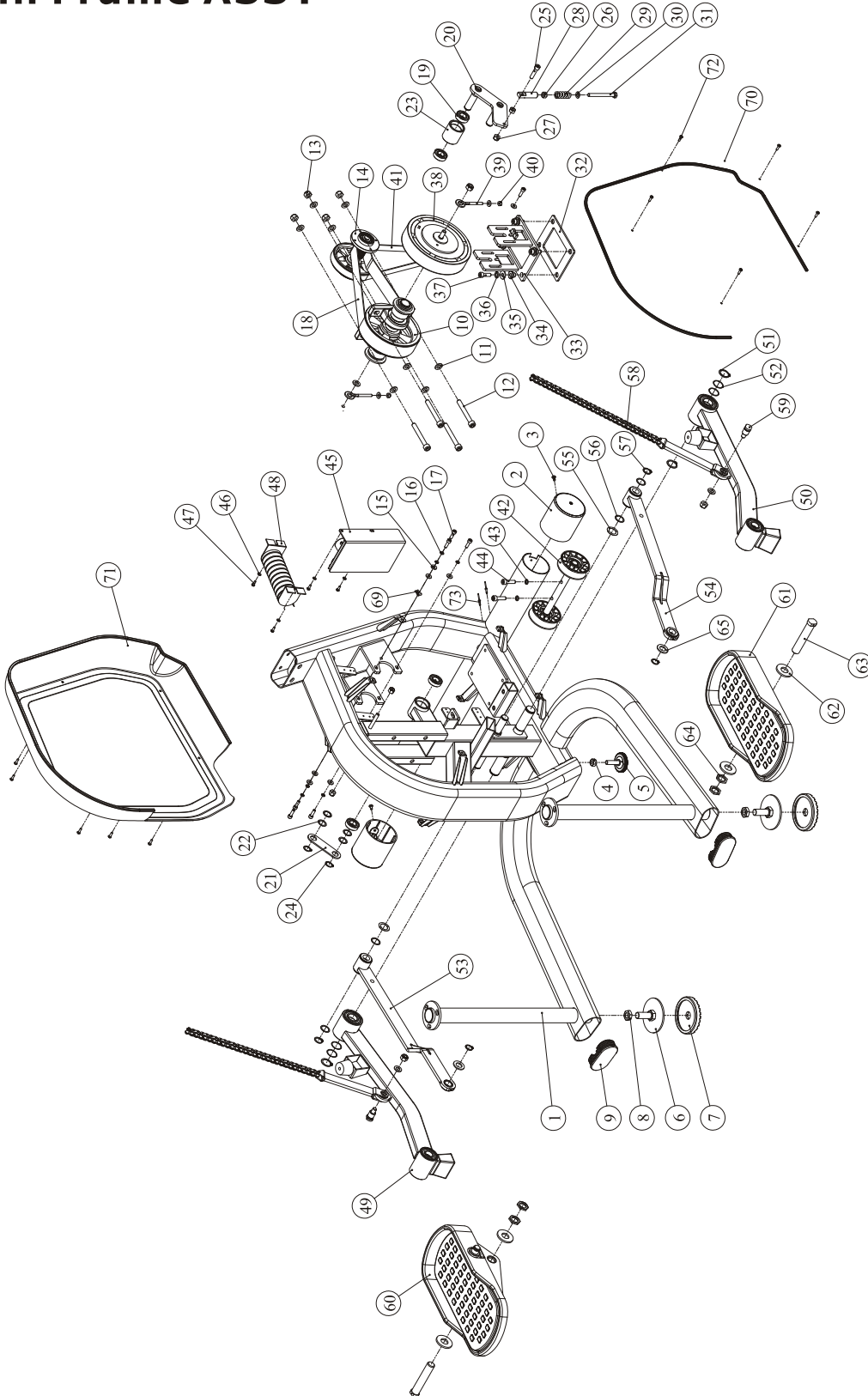
Exploded View and Parts List

Main Frame ASSY

Item No.	Grade No.	Part No.	Description	QTY
38	1.38	D43-PST300	Brake,230v/1200rpm/400w	1
39	1.39	B1800CEC-Q8800	Bolt,M6	2
40	1.40	NM6DS2	Nut,M6	2
41	1.41	DXD300J8A	Belt,300j8	1
42	1.42	PST300D14ASSY	Leading Wheel Assy	1
43	1.43	GB938DS12	Spring Washer,Φ 8	2
44	1.44	GB70M8*30DHS20	Socket Head Cap Screw,M8*30	2
45	1.45	C67	Lower Pcb,110v/6a	1
46	1.46	GB954DS2	Washer,Φ 4.5*Φ 9*0.8	4
47	1.47	GB818M4*12DS20	Screw,M4*12	4
48	1.48	DQR400W-2	Resistor,2 ω /400w	1
49	1.49	PST300D03ASSY	Left Swing Frame Assy	1
50	1.50	PST300D04ASSY	Right Swing Frame Assy	1
51	1.51	GB894.125FH12	Ring,Φ 25	4
52	1.52	DQ25FH2	Washer,Φ 25*Φ 28*0.35	4
53	1.53	PST300D70ASSY	Left Connecting Rod Assy	1
54	1.54	PST300D71ASSY	Right Connecting Rod Assy	1
55	1.55	B304400	Wave Washer,Φ 20	2
56	1.56	DQ20DHS2A	Washer,Φ 20.2*Φ 25*0.35	4
57	1.57	GB894.119FH12	Ring,Φ 19	2
58	1.58	PST300D23ASSY	Chain Frame Assy	2
59	1.59	PST300D11300	Chain Axis	2
60	1.60	PST300D05ASSY	Left Pedal Frame Assy	1
61	1.61	PST300D06ASSY	Right Pedal Frame Assy	1
62	1.62	CG3000P1707V1	Washer,Φ 44*Φ 20.2*4	4
63	1.63	PST3004400	Pedal,Shaft	2
64	1.64	SVTW0100	Hex Nut,M20xp1.0	4
65	1.65	DQ16DS2	Washer,Φ 17*Φ 30*2.5	2
66	1.66	08-0077	Magic Ring	1
67	1.67	PST300DZX870-750	Cabel For Resistor	1
68	1.68	L1100XHB-SMA-12	Lower Cable,For Console	1
69	1.69	B306700	Nut,St4.2	10
70	1.70	PST300D35ASSY	Right Cover Assy	1
71	1.71	PST300D36ASSY	Left Cover Assy	1
72	1.72	GB845ST4.2*16DHS	Screw,St4.2*16	10
73	1.73	GB126183.2*15N11	Rivet,Φ 3.2*15	2

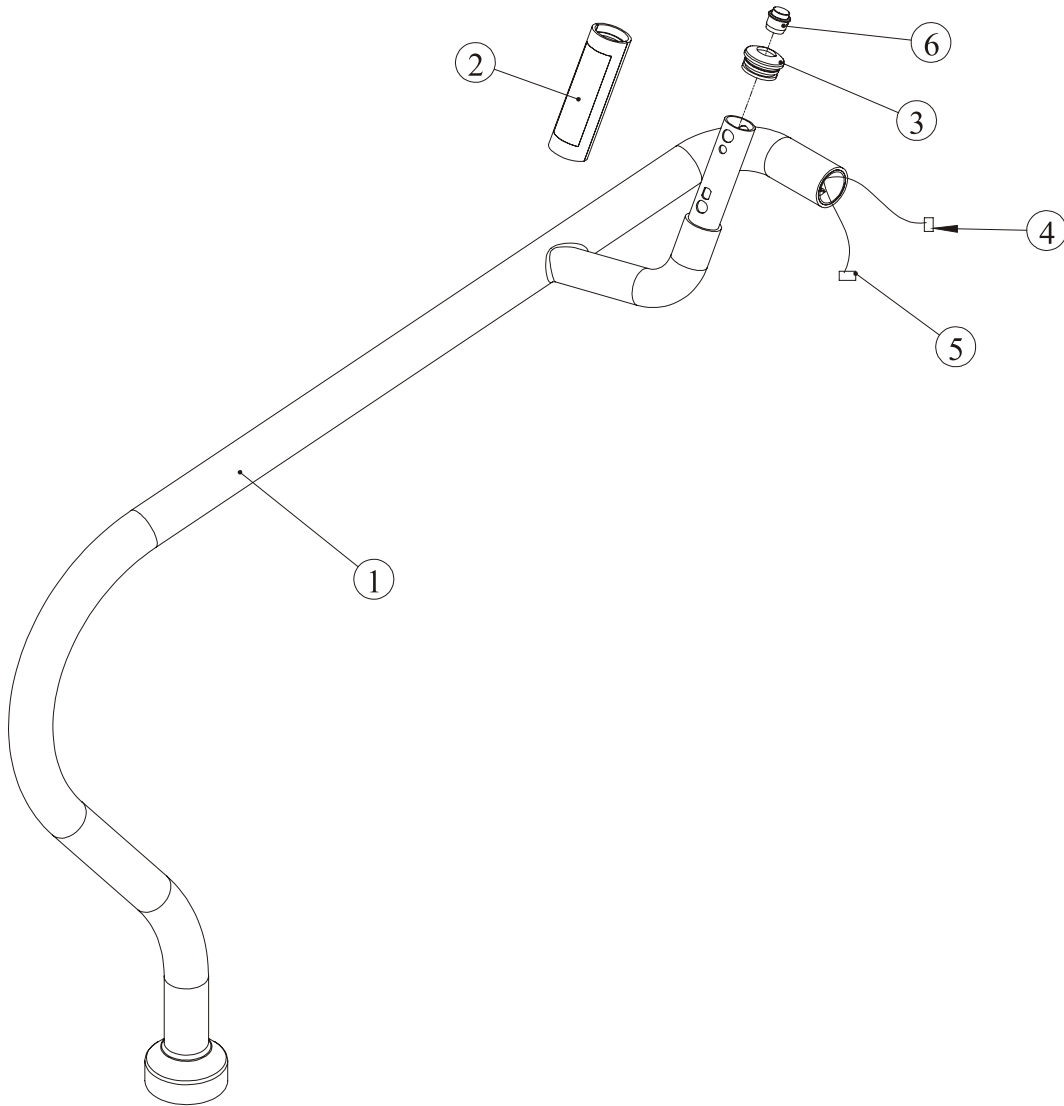
Exploded View and Parts List

Main Frame ASSY



Exploded View and Parts List

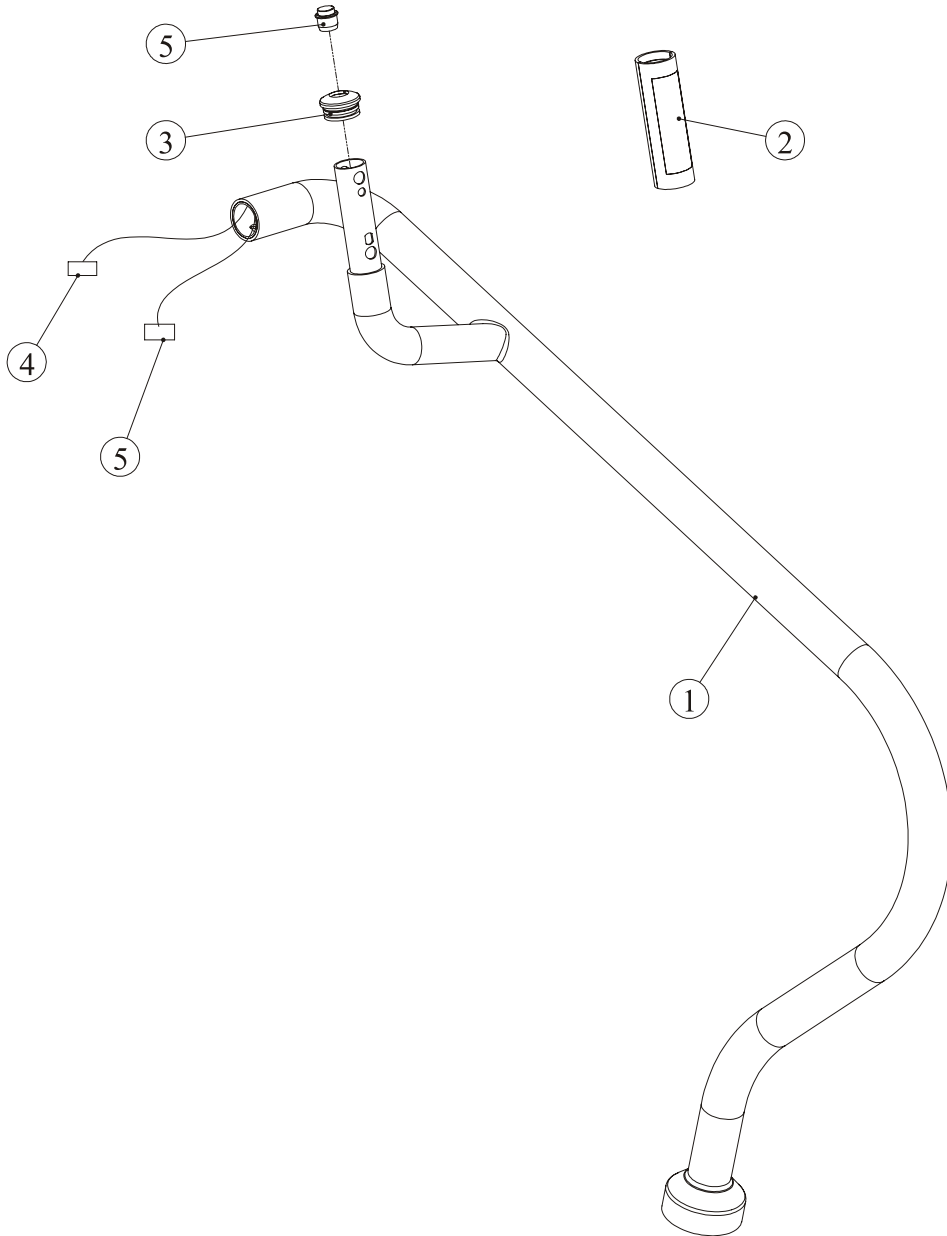
Left Handlebar ASSY



Item No.	Grade No.	Part No.	Description	QTY
1	2.1	PST300D2000	Left Handlebar,Dip	1
2	2.2	X05	Heart Rate Assy	1
3	2.3	X05-PST-01	Stopper	1
4	2.4	L700ST0-SMA-2	Cable,For Pulse	1
5	2.5	L800SMY-2	Left Cable,For Brake	1
6	2.6	F51A	Left Cable,For Brake	1

Exploded View and Parts List

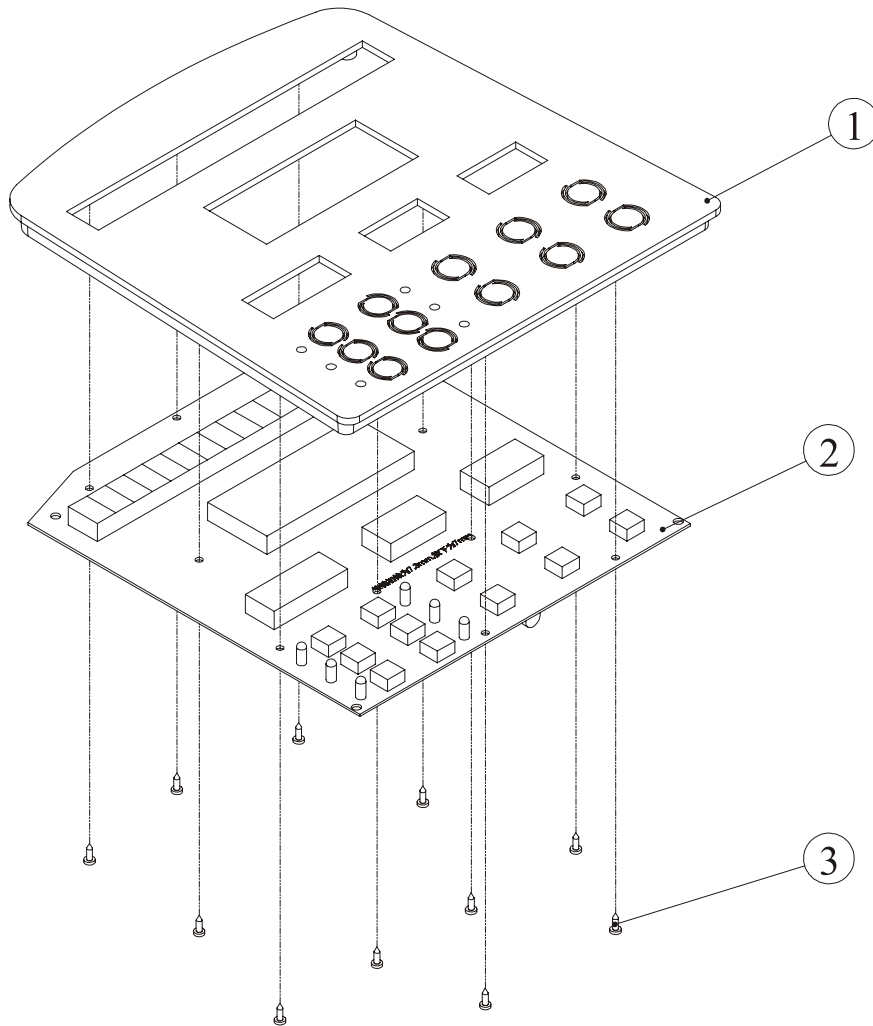
Right Handlebar ASSY



Item No.	Grade No.	Part No.	Description	QTY
1	3.1	PST300D2100	Right Handlebar,Dip	1
2	3.2	X05	Heart Rate Assy	1
3	3.3	X05-PST-01	Stopper	1
4	3.4	L700ST0-SMA-2	Cable,For Pulse	1
5	3.5	L800SMA-2	Right Cable,For Brake	1
6	3.6	F50A	Right Cable,For Brake	1

Exploded View and Parts List

Pcb, Frame ASSY



Item No.	Grade No.	Part No.	Description	QTY
1	4.9.1	PU300DZB03	Pcb,Frame	1
2	4.9.2	B143	Pcb	1
3	4.9.3	GB845ST2.9*9.5DS	Screw,St2.9*9.5	11

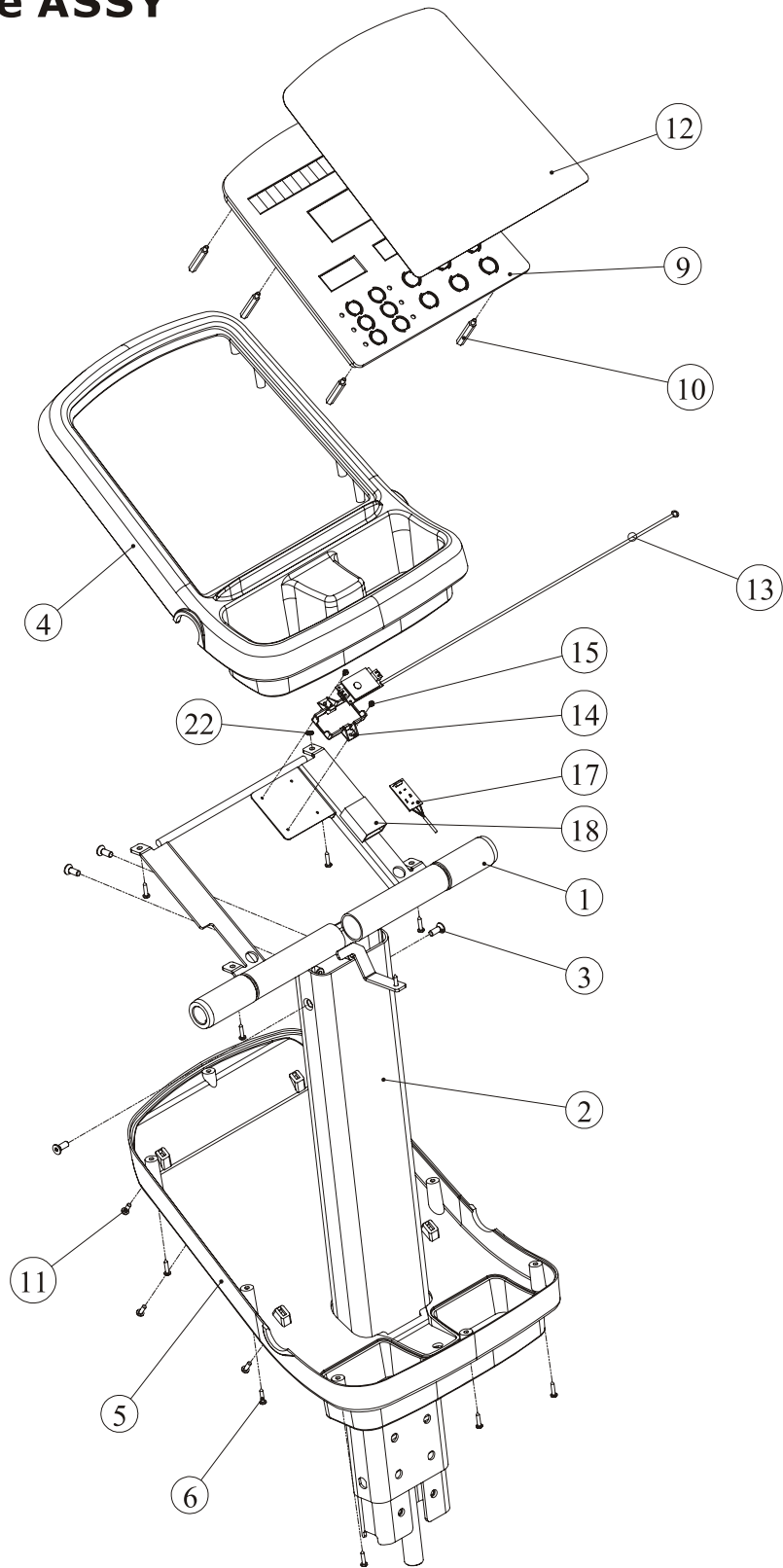
Exploded View and Parts List

Console ASSY

Item No.	Grade No.	Part No.	Description	QTY
1	4.1	PST300D0800	Handlebar Frame	1
2	4.2	PST3000700	Upright Frame	1
3	4.3	CNLM6*16N19	Flat Head Cap Screw,M6*16	4
4	4.4	PU300DZB01	Upper Cover,For Console	1
5	4.5	PU300DZB02	Lower Cover,For Console	1
6	4.6	GB845ST3.5*16DHS	Screw,St3.5*16	13
7	4.7	08-0077	Magic Ring	1
8	4.8	L1000XHB-SMY-12	Upper Cable,For Console	1
9	4.9	PST300DXLBJASSY	Pcb,Frame Assy	1
10	4.10	PR3003000	Support Post,For Pcb	4
11	4.11	GB818M4*12DS20	Screw,M4*12	4
12	4.12	PST300BMM01TY	Console Overlay	1
13	4.13	DQSWXT01-S	Heart Rate Board	1
14	4.14	RR7002900	Box,For Fixing Heart Rate Board	1
15	4.15	GB845ST2.9*6.5DS	Screw,St2.9*6.5	2
16	4.16	L350XHB_XHB-3	Cable,From Pulse To Console	1
17	4.17	DQXTJS01	Chest Pulse Receiver	1
18	4.18	RU5004400	Receiver Cover	1
19	4.19	K1NF-55(N)	Magic Ring	3
20	4.20	L600XHB-SMY-4	Upper Cable,For Pulse	1
21	4.21	L600SMA-SMY-XHB-3	Upper Cable,For Brake	1
22	4.22	GB862.24DS12	Serrated Washer,Φ4	1

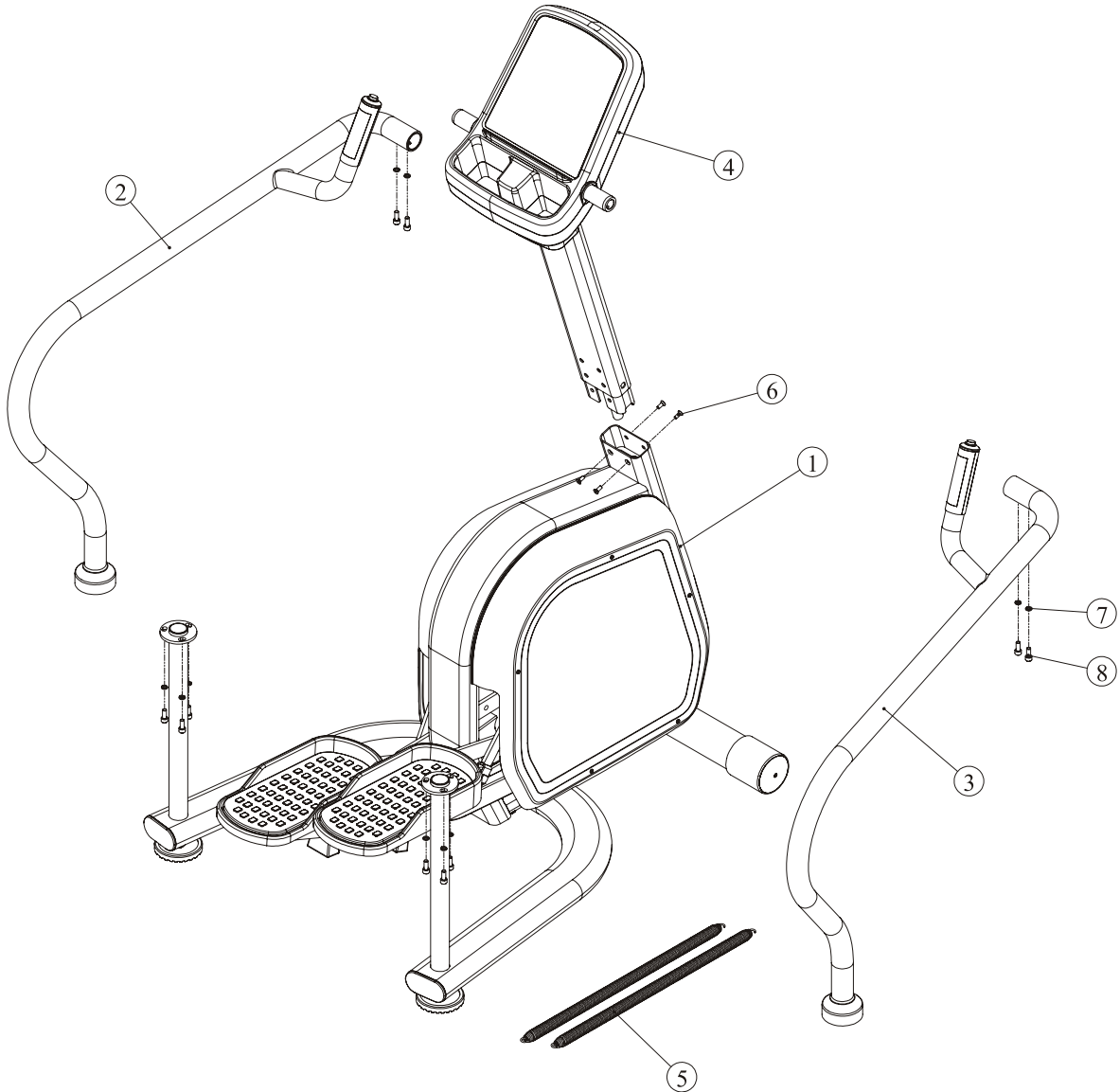
Exploded View and Parts List

Console ASSY



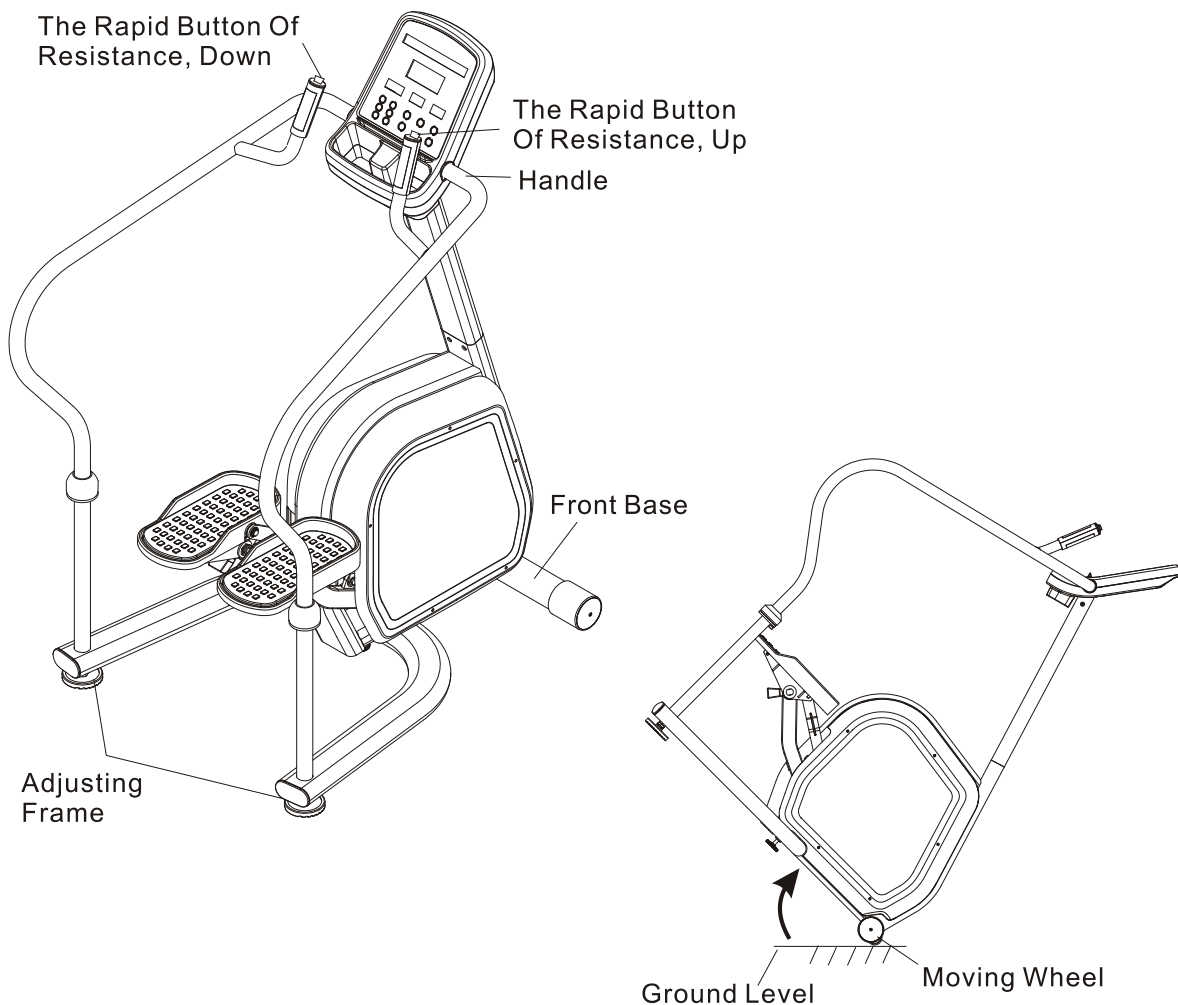
Exploded View and Parts List

Overall



Item No.	Part No.	Description	QTY
1	PST300D01ASSY	Main Frame Assy	1
2	PST300D20ASSY	Left Handlebar Assy	1
3	PST300D21ASSY	Right Handlebar Assy	1
4	PST300DDZBASSY	Console Assy	1
5	PST3001700	Spring	2
6	CNLM6*16N19	Flat Head Cap Screw,M6*16	4
7	GB938DS12	Spring Washer,Φ8	10
8	GB70M8*15N19NL	Socket Head Cap Screw,M8*15	10

Usage And Maintenance



Using Introduce

1. When moving the machine, you can grasp the handle, one foot treads the front base and pull it down, you can move it.
2. When using the machine, you must ensure it stand steadily on the ground. If it isn't steady, you can adjust the Adjusting Feet.
3. When using the machine, two feet tread the pedals, two hands grasp the left and right handles, step up and down, the machine can produce electricity itself, Press "START" and then adjust the resistance to the suitable level according to your weight.
4. when adjusting the resistance, you can also use the rapid button, the black is down the red is up.

Maintenance

If the bolts and screws have the trend of losing, please lock them timely.